

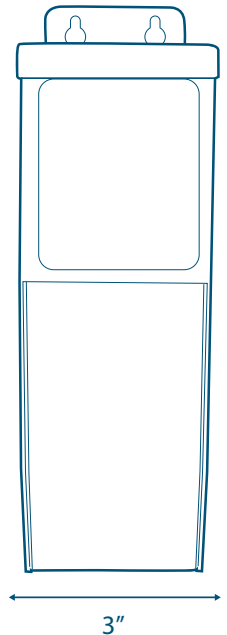


100W LED Driver

Indoor & Outdoor Magnetic Dimmable LED Driver

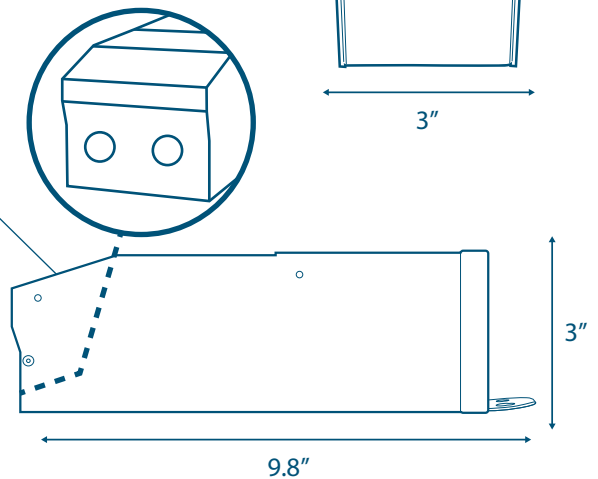
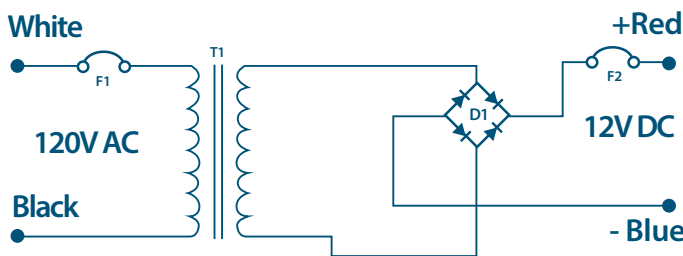
Product Code: M100L12DC-AR

Magnitude's M100L12DC-AR is the most compact LED driver on the market with a magnetic transformer core. It is equipped with two auto-reset breakers, one on the input and one on the output, which protect both the load and driver. The driver is encased in a coated metal box that includes 2 knock-outs, one on each side, to enable easy installation that complies with electrical code requirements.



Features

- Dimmable with any standard MLV TRIAC dimmer
- Dual protection - primary and secondary auto-reset circuit breakers
- Nema 3R Enclosure - Outdoor Use
- Two bottom knock-outs
- ETL Listed
- Certified to CSA Standard



Specifications

Max Load	100W
Input Voltage	120V AC
Input Current Full Load	1.33 A
Output Voltage Full Load	11V DC
Max Output Current Full Load	10.76 A
Open Circuit Output Voltage	12.15V DC
Efficiency on I	81%
Power Factor on I	0.93
Coil Former	Double Section Bobbin
Thermal Class	B130°C
Leads Primary	PVC 600V #18
Leads Secondary	PVC 300V #12
Circuit Breaker	primary and secondary auto reset
Dimensions L*W*H	9.8 in. x 3 in. x 3 in.
Weight	87 Oz.

The specifications are subject to change without notice

